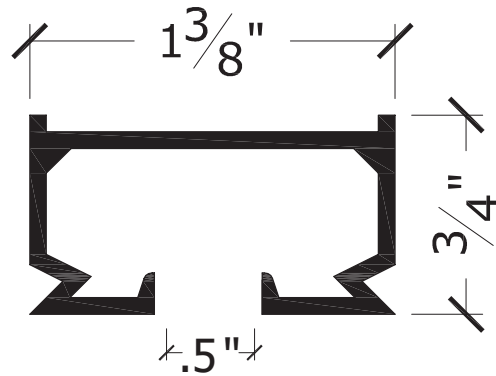


CEILING MOUNTED CUBICLE CURTAIN TRACK

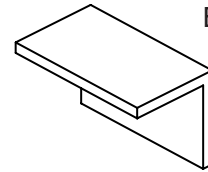
| | |
|----------|--|
| MATERIAL | Extruded Aluminum |
| FINISH | White Baked Enamel or Satin White Anodized |
| BENDS | All bends shall be 12" radius and up to 90 degrees |

1200CT

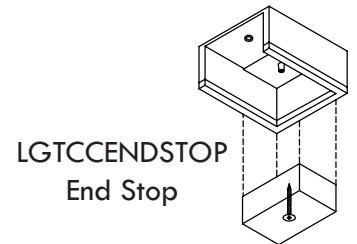
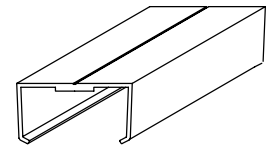
Track Detail



LGTCCEENDCAP
End cap



LGTCCSPLICE
Splice



LGTCCEENDSTOP
End Stop

| | |
|------------|--|
| CONTRACTOR | |
| PROJECT | |
| DATE | |